

# M-iClean U

Undercounter dishwashing machines for glasses, dishes and utensils



The new generation  
**M-iClean U**  
with **ComfortAir**  
heat recovery  
and fully integrated  
reverse osmosis  
**GiO MODULE**



A woman with glasses and a white t-shirt is working at a bar. She is leaning over a stainless steel counter, her hands near a Meiko espresso machine. The background is a dimly lit bar with warm lighting and wooden accents.

# Quality made by MEIKO

Recognised worldwide as a promise of cutting-edge technology, great design and innovative engineering. And MEIKO does not stop there: we take a holistic attitude to quality, ensuring our products, processes and services are all of the highest calibre – giving you peace of mind about the reliability of your investment.

The new *M-iClean U* undercounter dishwashing machine range: we've kept the name, but everything else has been reworked. It still has a *GiO MODULE* – but now it's completely integrated. That saves space, as well as installation and maintenance costs. What about heat recovery? Yes, and now it is highly efficient. The name: *MEIKO ComfortAir*. Removes up to 80 %\* of steam for convenient, comfortable and super speedy warewashing. And the hygiene? Top notch, of course. The fresh water circulates in a completely separate system.

\* All values based on savings achieved using the *ComfortAir* heat recovery system.





# M-iClean – the signal concept

## Outstanding results in a visually striking package

You can see from the very first glance: the *M-iClean* is the start of a whole new chapter in technology and design. From its striking LED indicator handle to its silky matt stainless steel body and bright, clearly arranged interior, the *M-iClean* is quite clearly in a league of its own. Innovative technology and clean lines are the order of the day, right down to the very last details.

And the *M-iClean* also throws warewashing into a colourful new dimension with an LED indicator handle that glows blue, green or red. This is how the machine clearly and visibly communicates its status: blue means 'ready for operation', flashing green is 'washing efficiently' and red indicates an 'important message'.

This revolutionary feature is designed to ensure maximum availability and efficiency. Beauty, simplicity and intelligence.

## The LED indicator handle is the signature feature of the M-iClean

The *M-iClean* catches the eye immediately thanks to its striking LED indicator handle. The handle boasts an elegant design, smooth action and provides a useful indication of the machine's status. Always cool to the touch and remarkably satisfying to use, it gives the *M-iClean* a look that is entirely unique. Directly above the LED indicator handle is the ergonomic display which acts as the *M-iClean*'s control panel. All the available functions appear as clearly identifiable icons, while the dynamic progress bar shows how much of the wash cycle has already been completed. Open the *M-iClean*'s door and you are in for a sparkling treat: the LED lighting gives a great view of the machine's interior as it glitters off the bright stainless steel surfaces. *M-iClean* – the brightly coloured face of a new generation of dishwashing machines.

## M-iClean: say goodbye to dull routines!

Warewashing just got a lot more colourful. As well as lifting people's moods and boosting motivation, the colour-coded *M-iClean* LED indicator also passes on important information to the machine operator.





# M-iClean – the blue operating concept

## If only everything else was this simple

Clarity is the number one priority. The *M-iClean* is tremendously reliable and easy to operate: working by colours. Any part of the machine that is coloured blue or illuminated in blue can be touched, operated or cleaned. This colour code prevents operator errors and accidental interruptions to the wash process.

The blue-lit glass display only ever shows the exact functions that can be performed at that specific moment in time. And the dynamic blue progress bar clearly indicates how much of the programme cycle has already been completed. The blue components inside the machine, such as the practical *M-iClean filter*, are the components that can easily be checked or cleaned by the machine operator.



**MEIKO Private Label:** the welcome screen can be individually configured with a logo. You can even save up to three different images as screen savers, such as contact details for the service team.

The *M-iClean's* glass display provides all the key information at a glance. One-touch operation makes it easy for machine operators to navigate through the programme options.

## M-iClean – the efficient wash system

### Technology can be beautiful

Two become one: the *M-iClean* uses a specially designed, stainless steel combined wash and rinse arm which harmoniously combines the machine's *wash* and *rinse* functions.

The benefits:

- Spray reaches all areas
- Durable, robust material
- Incredibly easy to clean

As well as being more efficient, the combined wash system is also more attractive and aesthetically appealing. That's *M-iClean*.

### Easy to clean, zero hassle

The *M-iClean filter* is easy to remove and clean. For the ultimate in user-friendly cleaning, simply pull out the filter to remove any accumulated dirt. Of course, the fact that it's blue clearly tells you, 'I'm part of MEIKO's blue operating concept. You can take me out, clean me and pop me back in. Just like that!'

For extra peace of mind, the *M-iClean* automatically checks that you've put everything back in the right place.



All-in-one: the combined *M-iClean* wash and rinse arm.



Easy to pop out, simple to clean: the *M-iClean filter*.



A clean solution:  
the practical *M-iClean filter*.



## Smart ways to save resources

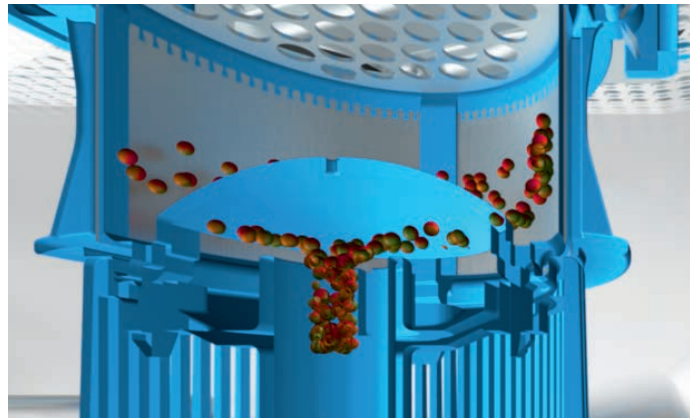
Life isn't just black and white, there are so many graduations in between – and that's the principle behind *M-iClean* technology, too. The *M-iClean* uses an intelligent energy management system to gradually shift its functions into standby mode when it's idle. This scale of standby levels means you use less electricity. By having a progressive series of power-saving modes instead of just one standby status, the *M-iClean* demonstrates the power of progress through smart engineering.



Maximum cleanliness down to the very last corner with optimal use of resources.

## Making the best use of water and energy

The *M-iClean filter* effectively removes dirt, thereby vastly reducing how much detergent and clean water are needed. The *M-iClean* wash programmes are designed with users in mind, offering the best balance of cleanliness and cost-effectiveness. For excellent washing results. That is green cleaning in action.



Keeping things perfectly clear: the *M-iClean filter*.



The *M-iClean* uses as much stainless steel as possible to ensure maximum reliability – the dosing pipes are just one example (and this even applies to the interior).

# M-iClean – GiO MODULE technology

NEW!  
M-iClean U with  
fully integrated  
GiO MODULE

## Reverse osmosis technology to demineralise your wash water

The MEIKO *GiO MODULE* – the MEIKO technology to demineralise your wash water – a fully integrated part of the new *M-iClean U* (optional). That includes the complete reverse osmosis module and the fine filter. It removes almost all

foreign substances, minerals, bacteria and viruses from the water. MEIKO *GiO MODULE* technology provides high-purity wash water and thus brilliant washing results, without the need to polish.



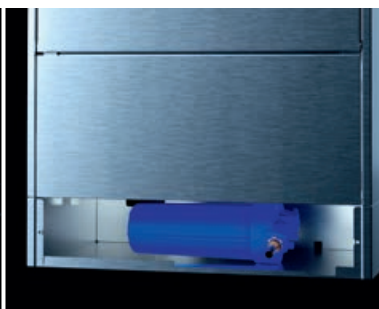
**MEIKO *GiO MODULE***  
close by machine or  
e.g. in another room  
**Dimensions (W x H x D)**  
140 x 550 x 600 mm



**MEIKO *GiO MODULE***  
integrated into lower part of plinth  
**Dimensions (H):**  
options: 120 mm or 150 mm



**MEIKO *GiO MODULE***  
to rear of machine  
**Dimensions (D):**  
90 mm



The compact structure and the pre-integrated MEIKO *GiO MODULE* reduce space requirements and eliminate the need for pre-installation or alterations. That saves you time, space and money.

*GiO MODULE* separated from fresh water supply according to EN 1717, no additional backflow prevention. The fine filter can be replaced quickly and easily by the operator so you don't have to wait for a service technician and, most importantly, there are no unnecessary maintenance costs.



# MEIKO ComfortAir – the new heat recovery system

The new **M-iClean U** with innovative heat recovery system: **MEIKO ComfortAir**

**Washing much faster and saving much faster:**

The new *M-iClean U* saves an entire 30 seconds per wash cycle using the innovative *ComfortAir* heat recovery system, featuring a new design and a larger heat recovery tank than the previous model. Saving time and resources: the operating costs are reduced by up to 21 %.

**Opening the dishwashing machine with almost no steam:**

The air is clear even after opening the door after the wash cycle. No hot steam hitting wash personnel in the face, no fogged-up glasses, no moisture on furniture. The staff are

immediately excited about the pleasant indoor climate – and very motivated at work.

**Almost dry:** the new heat recovery system

MEIKO *ComfortAir* condenses even more moist steam on the internal wall of the machine. That means that by the end of the cycle, the residual moisture is down by up to 98 % on the plates and up to 75 % on the glasses, so your wash-ware is ready for use again after a short time. In addition, water treatment in the form of a reverse osmosis system, the MEIKO *GiO MODULE* (optional), which is fully integrated into the machine, ensures the purest wash water and thus brilliant washing results without polishing.



The new heat recovery system, MEIKO *ComfortAir*: larger stainless steel heat exchanger surface for faster cooling. Opening the dishwashing machine with almost no steam: the air is clear even after opening the door after the wash cycle. No hot steam hitting wash personnel in the face, no fogged-up glasses, no moisture on furniture.

# M-iClean US – glasswasher

So small and yet so powerful



**Comfort options:**

- MEIKO *ComfortAir* heat recovery system
- MEIKO *GiO MODULE* technology
- Water change programme

**Entry height**

H 315 mm

**Dimensions**

H 700-735 mm, W 460 mm, D 600 mm

**Reverse osmosis module in base of plinth**

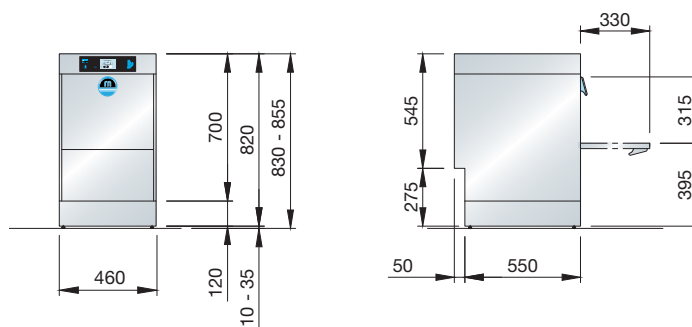
H 120 mm

**Rack size**

400 x 400 mm

**Rack capacity**

up to 40 racks/hour





# M-iClean UM – glasswasher

Outstanding cleanliness in bistros and cafés



**Comfort options:**

- MEIKO *ComfortAir* heat recovery system
- MEIKO *GiO MODULE* technology
- Water change programme
- Cold water rinse

**Entry height**

H 315 mm

**Dimensions**

H 700-735 mm, W 600 mm, D 600 mm

**Reverse osmosis module in base of plinth**

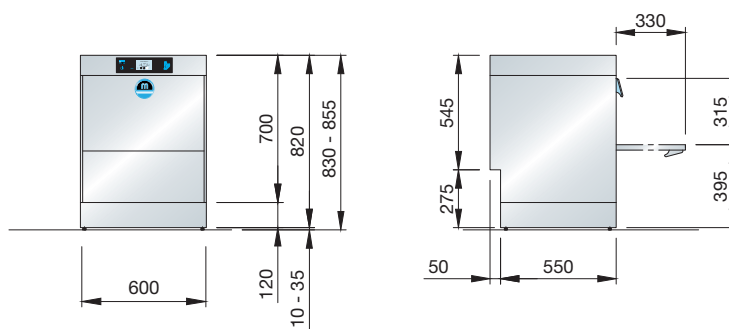
H 120 mm

**Rack size**

500 x 500 mm

**Rack capacity**

up to 40 racks/hour



# M-iClean UM+ – dishwashing machine

The specialist with large entry height



**Comfort options:**

- MEIKO *ComfortAir* heat recovery system
- MEIKO *GiO MODULE* technology
- Water change programme

**Entry height**

H 435 mm

**Dimensions**

H 820-855 mm, W 600 mm, D 600 mm

**Reverse osmosis module in base of plinth**

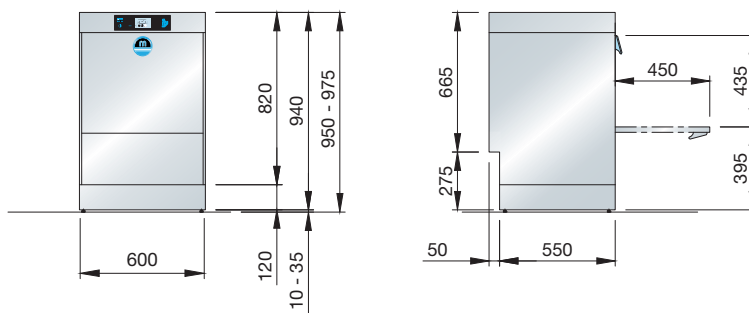
H 120 mm

**Rack size**

500 x 500 mm

**Rack capacity**

up to 40 racks/hour



# M-iClean UL – glass, utensil and dishwasher

The expert for bakeries and butcher shops



**Comfort options:**

- MEIKO *ComfortAir* heat recovery system
- MEIKO *GiO MODULE* technology
- Water change programme

**Entry height**

H 435 mm

**Dimensions**

H 820-855 mm, W 600 mm, D 680 mm

**Reverse osmosis module in base of plinth**

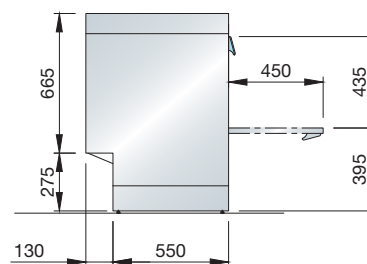
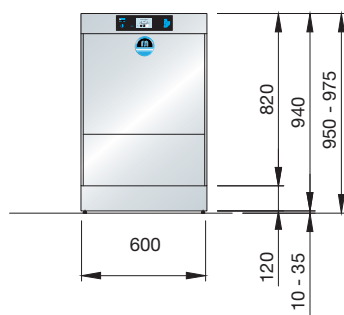
H 120 mm

**Rack size**

500 x 500 mm to 600 x 500 mm

**Rack capacity**

up to 40 racks/hour





## M-iClean UM+ / UL – ergonomic extras



**M-iClean UM+ / UL**  
more ergonomic, with  
lower cupboard and  
base frame

**Cupboard height**  
400 mm  
**Base frame height**  
150 mm

# M-iClean U – technical information



The clean solution

## Country version: Germany

Three-phase current: 3 NPE, 400 V, 50 Hz

Alternating current: 1 NPE, 230 V, 50 Hz

Fresh water supply: soft cold water 0-3 °dH

M-iClean U		US		UM		UM+		UL	
		400 V	230 V	400 V	230 V	400 V	230 V	400 V	230 V
<b>Rack capacity</b> (theoretical)	racks/h	40/30/20	20/20/15	40/30/20	20/20/15	40/30/15	20/20/15	40/30/15	20/20/15
<b>Programme cycle time</b> (cold water)	s	90/120/180	180/180/240	90/120/180	180/180/240	90/120/240	180/180/240	90/120/240	180/180/240
<b>Rack size</b>	mm	400 x 400		500 x 500		500 x 500		500 x 600 (500)	
<b>Entry height</b>	mm	315		315		435		435	
<b>Dimensions</b>	W x Hmin x D/mm	460 x 700 x 600		600 x 700 x 600		600 x 820 x 600		600 x 820 x 680	
<b>Total connected load</b>	kW	6.7	2.7	6.7	2.7	6.7	2.7	6.7	2.7
<b>Fuse protection on site</b>	A	16		16		16		16	
<b>Degree of protection on machine</b>		IP X5		IP X5		IP X5		IP X5	
<b>Equipment</b>		Control system: MIKECPU4/Bluetooth interface for wireless communication/water leak detection Temperature-dependent wash time increase/automatic self-cleaning feature when emptying tank							
<b>Fresh water supply</b>		Type AB air gap according to EN 1717 with pressure booster pump							
<b>Fresh water supply</b>		Minimum flow pressure 60 kPa/0.6 bar upstream of the solenoid valve Maximum pressure 500 kPa/5.0 bar Max. feed water temperature 60 °C							
<b>Flow rate</b>	l/min	3		3		3		3	
<b>Rinse water volume</b>	l/wash cycle, variable	1.9		2.4		2.4		2.8	
<b>Boiler</b>	content/l	7.0		7.9		7.9		7.9	
	Heating/kW	6.00	2.00	6.00	2.00	6.00	2.00	6.00	2.00
	Temperature/°C	65		65		83		83	
	Tank and boiler heating locked	✓		✓		✓		✓	
<b>Wash tank</b>	fill/l	7.5		11.0		11.0		11.0	
	Heating/kW	2.00		2.00		2.00		2.00	
	Temperature/°C	60		60		60		60	
<b>Wash pump, with frequency converter</b>	power/kW	0.40		0.40		0.40		0.40	
<b>Rinse aid dosing</b>		Hose pump (24 V) with time control and suction lance							
<b>Detergent dosing</b>		Hose pump (24 V) with time control and suction lance							
<b>Material</b>	cladding	1.4301							
	Wash tank	1.4301							
	Boiler	1.4571							
<b>Heat emission,</b>	total/kW	1.4		2.1		2.1		2.1	
for 20 programme runs/h	sensitive/kW	1.0		1.4		1.4		1.4	
	latent/kW	0.4		0.7		0.7		0.7	
<b>Supply air stream</b>	m³/h	340		540		540		540	
<b>Steam emission</b>	kg/h	0.7		1.0		1.0		1.0	
<b>Volume</b>	dB(A)	58		60		61		62	
<b>Net/gross weight</b>	kg	56,0 / 67,7		63,0 / 74,8		74,0 / 86,0		77,0 / 89,5	
with standard packaging									
<b>Packing size</b>	W x H x D/mm	500 x 900 x 690		700 x 1050 x 700		700 x 1050 x 700		700 x 1050 x 770	
standard packaging									

If the machine is connected to a cold water supply and/or if racks are inserted in quick succession, the duration of the wash cycles may be increased to achieve hygienic final rinse temperatures.

The water change programme increases the duration of the programme cycle time.

**Electrical installation:** electrical connection: three-phase current 3 NPE 400 V, 50 Hz, can be converted to alternating current 1 NPE, 230 V, 50 Hz on site. Fuse protection: 16 A.

**Water installation:** machines can be connected directly to the fresh water connection without the use of intermediate safety valves. Minimum flow pressure 0.6 bar, maximum pressure 5 bar. The fresh water connection must be installed in accordance with the regional regulations (e.g. Germany DIN 1988/EN 1717)

Drain hose DN 22. Max. height of on-site drain outlet on wall 700 mm. Connecting cables reach approx. 1.4 m from machine.

**GiO MODULE** (all models): cold water connection (max. 35 °C), minimum flow pressure 1 bar, maximum pressure 5 bar. Conductivity of raw water 70-1,000 µS/cm.

Total water hardness max. 28 °dH.

10 µm filter with integrated activated carbon.

Connecting line between machine and freestanding GiO MODULE approx. 3 m.

Drain hose DN 22.

On-site drain outlet max.:

M-iClean US, M-iClean UM 420 mm / M-iClean UM+ 540 mm

GiO plinth, 120 mm: M-iClean US, M-iClean UM 540 mm / M-iClean UM+, M-iClean UL 660 mm

GiO plinth, 150 mm: M-iClean US, M-iClean UM 570 mm / M-iClean UM+, M-iClean UL 690 mm.

(1 bar = 100 kPa) (1 °dH approx. 0.18 mmol/l CaCO<sub>3</sub>)



The clean solution

Complies with the hygiene requirements of DIN SPEC 10534.



Manufacturer:  
**MEIKO Maschinenbau GmbH & Co. KG** · Englerstr. 3 · 77652 Offenburg, Germany  
Phone +49 781 203-0 · Fax +49 781 203-1179  
[www.meiko-global.com](http://www.meiko-global.com) · [info@meiko-global.com](mailto:info@meiko-global.com)



130.022.02.11.21/EN/digital

We reserve the right to amend specifications as part of our product improvement process