



On-Premises Softmount Washer-Extractors

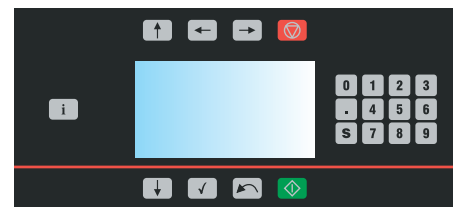
SY180 , SY240 , SY280

Features

- Freestanding, high spin
- Stainless steel top front panel, side panels
- Stainless steel drum and tub
- QED Select control – fully programmable
- Patented soap hopper
- High capacity water inlets (SY 280)
- Large drain valve (Ø 76 mm)
- Easy access to all vital parts from the front
- Large door opening for easy loading and unloading
- Perforated lifting ribs: more mechanical action and lower water consumption
- Eco washing programs – significantly reduces water and electricity consumption

Options

- Coin operated
- USB plug and Network cable connection (on the back panel)
- Liquid soap connection
- Liquid soap pumps
- Water recovery kit
- Steam heating version
- 3rd water inlet
- High capacity water inlets (SY180, SY240)
- Automatic weighing system by weighing cells to measure exact capacity of the linen
- Second drain valve for faster draining (SY280)
- QED Assist – Laundry management software



Control panel (QED Select)



Easy Operation



Ergonomical Construction



Large Door Opening



Low Water Consumption

On-Premises Softmount Washer-Extractors

Specifications

	SY180	SY240	SY280
INNERDRUM			
Maximum capacity 1:10 [kg/lb]	18/40	24/55	28/65
Volume [l]	180	240	280
Diameter [mm]	750	750	750
DRUM SPEED			
Wash [rpm]	42	42	42
Extraction [rpm]	980	980	915
G-factor	400	400	350
HEATING			
Electricity (standard) [kW]	12/18	18	21.9
Steam [bar]	1 – 8	1 – 8	1 – 8
Hot water [°C]	90	90	90
Sound pressure level [dB (A)]	<65	<65	<65
Water valves connection [BSP]	¾"	¾"	¾"
Water pressure [kPa]	100 – 800	100 – 800	100 – 800
Rec. water pressure [kPa]	300 – 500	300 – 500	300 – 500
Water inlet [l/min]	20	20	20-50
Drain valve [outer Ø mm]	76	76	76
Flow amount with drain valve [l/min]	210	210	210
Steam valve connection [BSP]	½"	½"	½"
Steam pressure [kPa]	100 – 800	100 – 800	100 – 800
DIMENSIONS			
Size HxWxD [mm]	1410×970×970	1410×970×1105	1410×970×1185
TRANSPORT DATA			
Gross weight [kg]	395	450	515
Net weight [kg]	380	430	495
Packaging dimensions HxWxD [mm]	1550×1025×1015	1550×1025×1150	1550×1025×1225

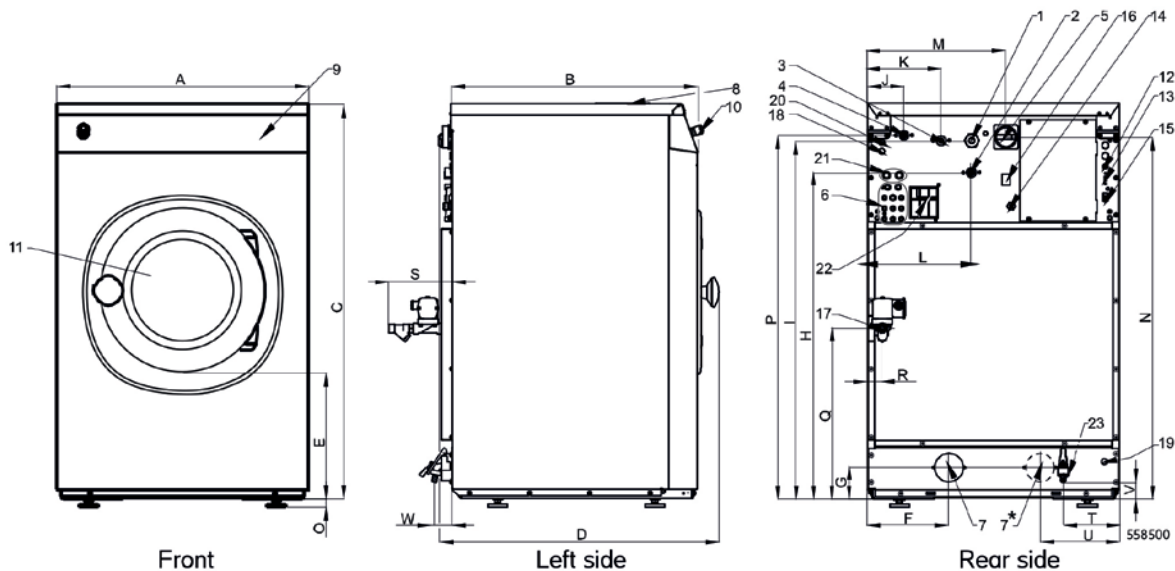
On-Premises Softmount Washer-Extractors

Dimensions

	A	B	C	D	E	F	G	H	I	J	K	L	M	N	O	P	Q	R	S
SY180	970	876	1410	970	477	270	108.5	1215	1297.5	113	218	293	610	1315	24	1320	490	80	90
SY240	970	1011	1410	1105	477	270	108.5	1215	1297.5	113	218	293	610	1315	24	1320	490	80	90
SY280	970	1086	1410	1185	477	270	108.5	1215	1305	113	218	293	610	1315	24	1320	490	80	90

	T	U	V	W
SY180	203	-	67	48
SY240	203	-	67	48
SY280	203	274	67	48

All measurements are in mm.



- 1 Electrical connection
- 2 Hot water
- 3 Cold water hard
- 4 Cold water soft
- 5 Main switch
- 6 Connection liquid soap
- 7 Drain: drain valve (pump), 1 ×ø76 mm
SY280 – drain valve or recycle valve, 1 ×ø76 mm
(on request)
- 8 Soap dispenser
- 9 Control panel
- 10 Button CENTRALSTOP
- 11 Door opening: ø460 mm
- 12 Fuses
- 13 USB port

- 14 Electrical connection to liquid soap pumps
- 15 PC programming connection (RS485)
- 16 Heating change-over switch (electrical heating, steam heating)
- 17 Steam connection (steam version) ½"
- 18 Steam valve connection (steam version)
- 19 Inlet of cable for discharge of water into the water recycle
- 20 Cable inlet – cable for control of the valve or pump of water from the water recycle
- 21 Inlet of water from the recycle (external diameter 19)
- 22 Air relieve
- 23 Drain valve ½", applicable for wash bath sample (on request)