

# TopLine in detail

Cleaning and disinfection appliance



**TopLine** – Safety you can rely on



Today, more than ever, strict hygiene standards are an absolute must in healthcare environments and patient welfare and safety are a primary concern.

Getting care utensils hygienically clean every single time requires versatile technology that can adapt to changing conditions – and that’s where MEIKO’s clean solutions really excel. Our *TopLine* machines cater to patient’s individual needs and rise to the challenge of tackling any kind of infection risk.

What’s even more reassuring is that *TopLine* cleaning and disinfection appliances can be programmed to whatever  $A_0$  setting you require at any particular point in time – so you’re in control. Based on the recommendations of your infection control team, you can choose between  $A_0$  60,  $A_0$  600, and  $A_0$  3000 as the default setting, and you can modify this value whenever you need to.

Get the most hygienic and cost-effective results – with clean solutions made by MEIKO.

## Three steps to perfect cleanliness:



**1** Choose the cleaning programme based on the type of care utensils and the degree of soiling – press the button and hold it down.



**2** The display shows the available  $A_0$  settings:  $A_0$  60 /  $A_0$  600 /  $A_0$  3000. Release the button when your setting appears.



**3** The programme starts automatically as soon as you release the button.

# TopLine – More than just technology

MEIKO *TopLine* cleaning and disinfection appliances give you the reassurance of top-notch safety and reliability right down the line.

From effective reprocessing of care utensils to reliable, user-friendly operation, the *TopLine* range features impressive technology that ensures the safety of both patients and care personnel while adhering strictly to the requirements of EN ISO 15883. Check out some of the highlights of MEIKO technology – and discover the key benefits of our *TopLine* machines.

Type 'AA' air gap according to EN 1717

MIKE 2 electronic control system

Proximity switch to operate door (optional)

Nozzle system for intensive cleaning

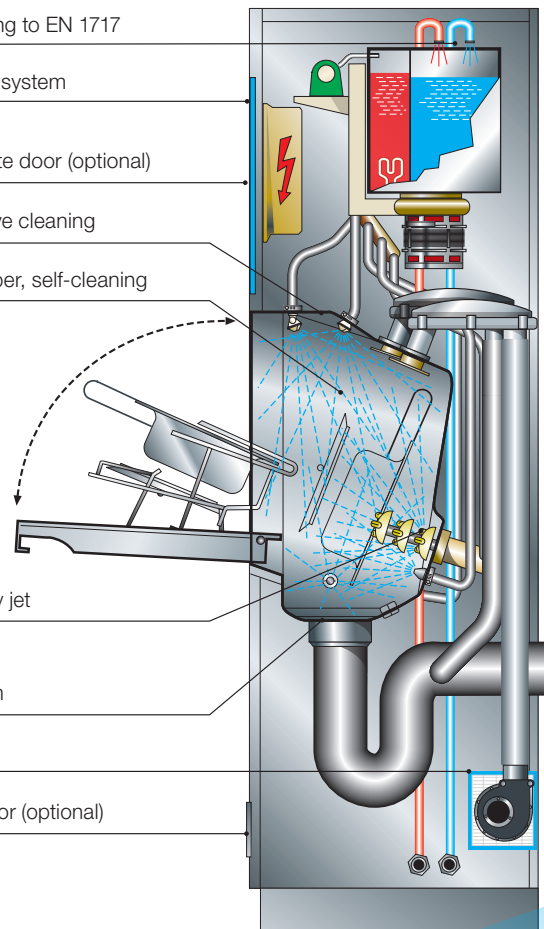
Deep-drawn wash chamber, self-cleaning

Powerful telescopic rotary jet

Siphon monitoring system

HEPA filter (H13)

Foot switch to operate door (optional)



## Steam Stop

Optimises hygiene and safety with a patented design which ensures that no steam escapes from the system.

## Power Clean

Gets every last spot of your care utensils hygienically clean with a powerful telescopic rotary jet and an optimised wash system that acts on all sides.

## Thermo Control

Takes reliable disinfection to the next level by offering patented control of the freely selectable\*  $A_0$  value, carefully monitored by temperature sensors which cross-check each other's readings.

\* $A_0$  60,  $A_0$  600,  $A_0$  3000.



### Dry&Cool

Uses filtered air to dry and cool, producing hygienically clean care utensils that are cool to the touch.

### T.A.D.

The *Total Auto Disinfection (T.A.D.)* function disinfects all the water pipes in the machine after each completed wash cycle to avoid the risk of recontamination.

### Chem Code

Uses a unique suction lance coding system to eliminate the risk of mixing up rinse aid and detergent and to ensure a validated process.

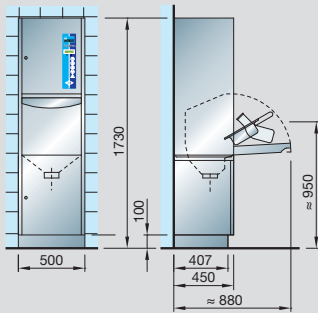
### Ca<sup>20</sup> Stop

Guarantees high operating reliability by using sensors to monitor dosing of the detergent and of the softener/rinse aid mix.

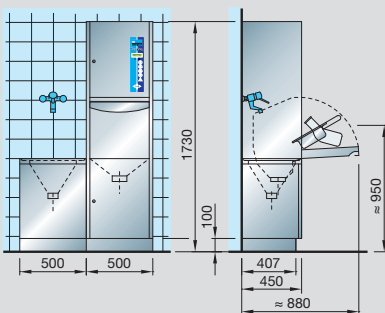


MEIKO's *TopLine* range is available in a wealth of different designs and configurations. From individual floor standing and wall-mounted appliances to units designed to be incorporated in patients' bathrooms, and from practical appliances installed under work surfaces to compact combined care units, *TopLine* offers versatile options for every type of dirty utility room. So you can be sure of getting a tailor-made solution that meets your needs. You can find more information on the available options in our latest MEIKO *TopLine* product range brochure. The MEIKO team will be more than happy to help you find the clean solution that meets the specific hygiene standards required in your work environment. Just give us a call!

### TopLine floor standing unit



### TopLine small combined care unit



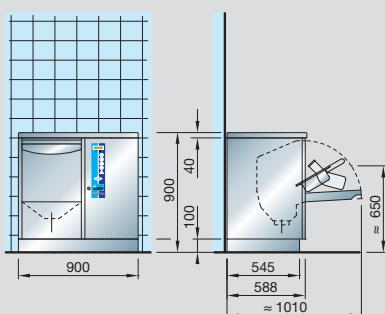
### TopLine 10

For off-the-floor wall mounting. Basic model. Compact and ready to connect.

### TopLine 20

Combined care unit consisting of *TopLine 20* with plinth and matching slop sink (optional).

### TopLine unit for under work surfaces



### SAN 14 B

Compact combined care unit consisting of *TopLine 40*, slop sink, washbasin and storage surface. Includes splash screen and upstand.



### SAN 20 W

Combined care unit with 600 mm cupboard space. Consists of *TopLine 40*, slop sink, washbasin and storage surface. Includes splash screen and upstand.

Manufacturer:  
**MEIKO Maschinenbau GmbH & Co. KG** · Englerstr. 3 · 77652 Offenburg, Germany  
 Phone +49 781 203-0 · Fax +49 781 203-1179  
 www.meiko-global.com · info@meiko-global.com



720.031.01.03.21/EN/

We reserve the right to make changes as part of product development.